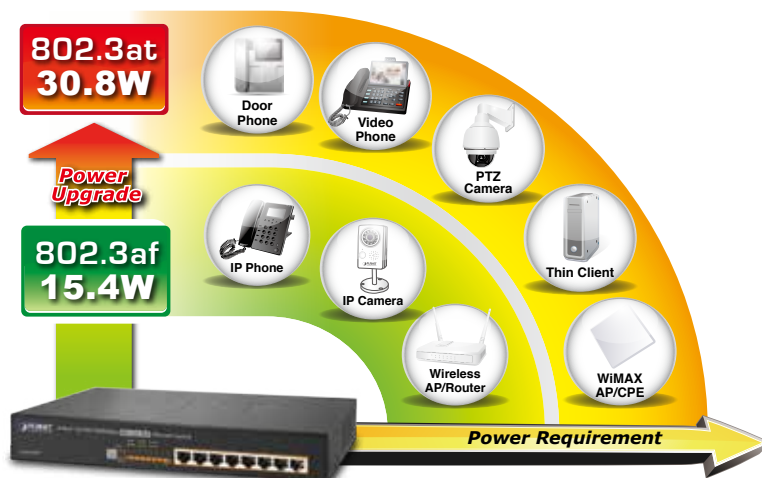


8-Port 10/100/1000Mbps 802.3at PoE Desktop Switch



High Power PoE for Security and Public Service Applications

To fulfill the demand of High Power PoE for network applications with Gigabit transmission, PLANET GSD-808HP 802.3at PoE Gigabit Switch is an ideal solution. Each Gigabit port of the GSD-808HP features IEEE 802.3af and IEEE 802.3at High Power PoE capabilities that offer a combined power output and data of up to 130 watts per port over one Cat.5E / 6 Ethernet cable. With a total PoE budget of 130 watts on the whole system, the GSD-808HP is designed specifically to satisfy the growing demand of higher power consuming network PD (powered devices) such as PTZ (Pan, Tilt & Zoom) / speed dome network cameras, multi-channel (802.11a/b/g/n) wireless LAN access points and other network devices by doubling PoE power, more than the current conventional 802.3af PoE.



RJ-45 Interface

- 8 10/100/1000Mbps Gigabit Ethernet ports
- Supports 52V DC power to PoE powered device

Power over Ethernet

- Complies with IEEE 802.3af / IEEE 802.3at Power over Ethernet End-Span PSE
- Up to 8 IEEE 802.3af / IEEE 802.3at devices powered
- Supports PoE power up to 30 watts for each PoE port
- Auto detects powered device (PD)
- Circuit protection prevents power interference between ports
- PoE Usage Alarm LED
- Remote power feeding up to 100m

Switching

- Hardware based 10/100/1000Mbps auto-negotiation and auto MDI/MDI-X
- Flow control for full duplex operation and back pressure for half duplex operation
- Integrates address look-up engine, supporting 8K absolute MAC addresses
- 9K Jumbo Frame supports all speeds (10/100/1000Mbps)
- Automatic address learning and address aging
- Supports Pre-Energy-Efficient Ethernet (EEE) function (IEEE 802.3az)

Hardware

- 12-inch desktop size, 1U height
- LED indicators for PoE ready, PoE activity and PoE Usage Alarm
- Fanless design
- Ethernet Link Energy-saving technology
 - Link down power saving
 - Intelligent scales power based on cable length

Automatic PoE Management

To facilitate power management, the GSD-808HP implements powerful PoE intelligent features:

- PoE Power Usage Threshold Alarm
- PoE Power Budget Control

The GSD-808HP helps users to manage PoE power usage easily and efficiently by its intelligent PoE features and LED indications. There are two orange LEDs named “PoE Power Usage” located on the left side of the GSD-808HP front panel, of which one LED indicates the total PoE power output of Port 1-4 and the other LED shows the total PoE power output of Port 5-8. When Port 1-4 or 5-8 PoE output is over 80%, the LED will light up to notify customers for better PoE allocation. If the power output is over 95%, the LED will blink to warn customers.



Energy-Saving

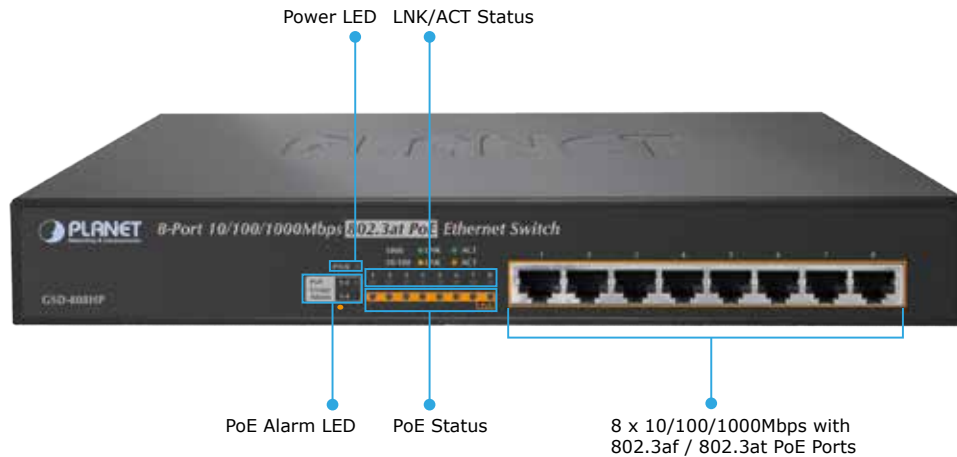
The GSD-808HP uses new engine that incorporates advanced Green Networking technologies:

- Idle Mode Link Down power saving
- Intelligent Scales Power based on cable length

The Idle Mode Link Down power saving of the GSD-808HP complies with Pre-IEEE 802.3az Energy Efficient Ethernet (EEE) standard to automatically lower power for a given port when it is not linked.

Easy Installation and Cable Connection

Providing data transfer and High Power PoE in one unit, the GSD-808HP will reduce the need of extension cables and dedicated electrical outlets on the wall, ceiling or any unreachable place. It helps to lower the installation costs and simplify the installation effort.

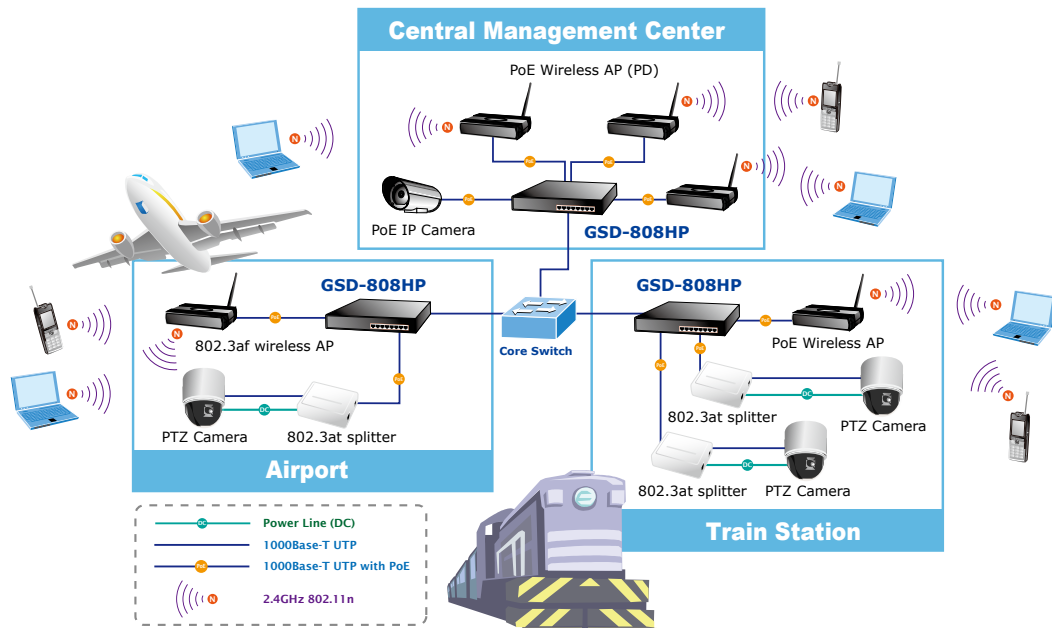


All RJ-45 copper interfaces in the GSD-808HP support 10/100/1000Mbps auto-negotiation for optimal speed detection through RJ-45 Category 6, 5 or 5e cables. It also supports standard auto-MDI/MDI-X that can detect the type of connection to any Ethernet device without requiring special straight or crossover cables.

Applications

High Power IP Surveillance and Wireless LAN Service in Public Transportation

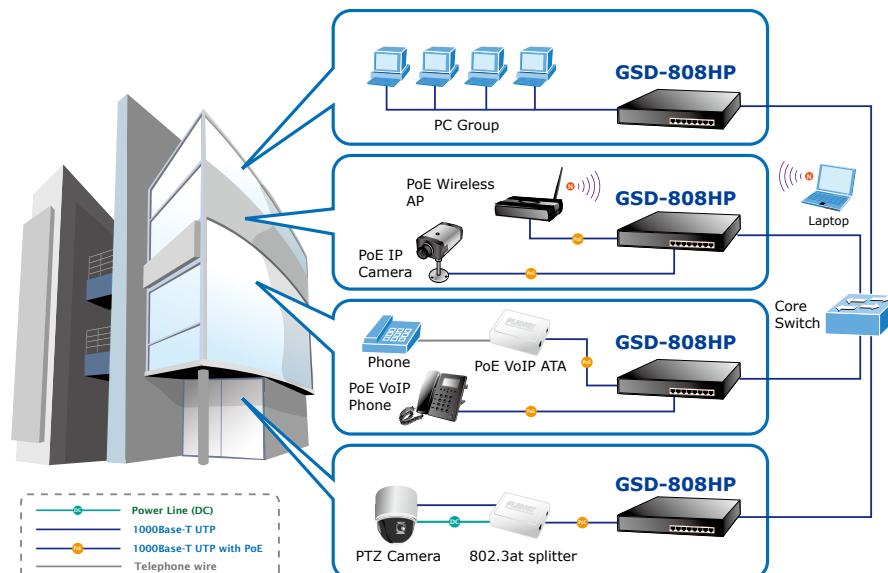
Having the capability of IEEE 802.3at Power over Ethernet standard, the GSD-808HP can directly connect with any IEEE 802.3at end-nodes like PTZ (Pan, Tilt & Zoom) network cameras, PTZ speed dome cameras, color touch-screen voice over IP (VoIP) telephones, and multi-channel wireless LAN access points. Besides the wired Internet network, the wireless LAN would be more efficient for the transportation station to provide high-speed and wide area Internet services for travelers. By adopting PoE wireless LAN structure, the transportation authority gains benefits from less cost while providing better Internet services in wider areas for the travelers.



Flexible VoIP Deployment in IP Office

With the business office expansion, the additional telephones required could be installed at less cost via the implementation of PoE IP Telephony system, when compared with that of the traditional circuit wiring telephony system. PLANET GSD-808HP 802.3at Desktop PoE Switch helps enterprises to create an integrated data, voice, and powered network. PLANET 802.3af compliant IP Phones and Analog Telephony Adapter can be installed without an additional power cable because the power can be provided via the standard Ethernet cable from the connected GSD-808HP.

With the GSD-808HP, IP Telephony deployment becomes more reliable and cost effective, which helps enterprises save tremendous cost when upgrading from the traditional telephony system to IP Telephony communications infrastructure.



Specifications

Model	GSD-808HP 8-Port 10/100/1000Mbps 802.3at PoE Desktop Switch	
Hardware Specification		
Hardware Version	3	
Network Connector	8-port RJ-45 for 10/100/1000Base-TX	
PoE Inject Port	8-port with 802.3af / 802.3at PoE injector function	
LED Display	System: Power (Green) PoE Usage Alarm: 1-4 (Orange) 5-8 (Orange) Per port : PoE-in-use (Orange) 1000 LNK/ACT (Green) 10/100 LNK/ACT (Orange)	
Switch Architecture	Store and Forward switch architecture	
MAC Address	8K MAC address table with auto learning function	
Switch Fabric	16Gbps	
Switch Throughput	11.9Mpps@64Bytes	
Jumbo Packet Size	9K Bytes	
Flow Control	Back pressure for half-duplex. IEEE 802.3x pause frame for full-duplex	
Power Requirements	AC 100~240V, 50/60Hz, 2A max.	
Power Consumption	Max. 150 watts / 511 BTU	
Dimensions (W x D x H)	280 x 180 x 44 mm	
Weight	1.67kg	
Power over Ethernet		
PoE Standard	IEEE 802.3af Power over Ethernet / PSE IEEE 802.3at Enhancement Power over Ethernet / PSE	
PoE Power Supply Type	End-Span	
PoE Power Output	Per port 52V DC, 275mA. max. 15.4 watts (IEEE 802.3af) Per port 52V DC, 535mA. max. 30 watts (IEEE 802.3at)	
Power Pin Assignment	1/2(+), 3/6(-)	
PoE Power Budget	130 Watts	
Max. Number of Class 2 PD	8	
Max. Number of Class 3 PD	8	
Max. Number of Class 4 PD	4	
Environment		
Operating Environment	0 ~ 50 degrees C	
Storage Environment	-40 ~ 70 degrees C	
Operating Humidity	5 ~ 95%, relative humidity, non-condensing	
Storage Humidity	5 ~ 95%, relative humidity, non-condensing	
Standard Conformance		
Standard Compliance	IEEE 802.3 IEEE 802.3u IEEE 802.3x IEEE 802.3af IEEE 802.3at IEEE 802.3az	Ethernet Fast Ethernet Flow Control Power over Ethernet Enhancement Power over Ethernet Pre-Energy-Efficient Ethernet
EMI Safety	FCC Class B, CE	

Ordering Information

GSD-808HP	8-Port 10/100/1000Mbps 802.3at PoE Desktop Switch
-----------	---

Ordering Information

ICA-2500	5 Mega-pixel PoE Box IP Camera
ICA-3250V	Full HD Outdoor IR PoE IP Camera
ICA-3350V	3 Mega-pixel Vari-focal Bullet IR IP Camera
ICA-4200V	Full HD 20M IR Vari-focal Dome IP Camera
ICA-5350V	3 Mega-pixel Vandalproof IR IP Camera
ICA-8350	3 Mega-pixel Vandalproof Fisheye IP Camera
ICA-HM101	2 Mega-pixel PoE Cube IP Camera
ICA-HM126	H.264 Full HD Box IP Camera
ICA-HM127	3 Mega-pixel H.264 Box IP Camera
ICA-HM131	H.264 Full-HD Fixed Dome IP Camera
ICA-HM131R	H.264 Real-time Full-HD Fixed Dome IP Camera
ICA-HM132	H.264 2 Mega-pixel 20M IR Vari-focal Dome IP Camera
ICA-HM136	H.264 2 Mega-pixel 20M IR Vandalproof Dome IP Camera
ICA-HM312	2 Mega-pixel 25M IR Outdoor Bullet PoE IP Camera
ICA-HM316	2 Mega-pixel Outdoor IR PoE IP Camera
ICA-HM351	2 Mega-pixel 35M IR Outdoor Box PoE IP Camera
ICA-HM835	2 Mega-pixel Vandalproof Fish-Eye IP Camera
ICA-HM620	2 Mega-pixel PoE Plus Speed Dome Internet Camera
POE-152S	IEEE 802.3af Power over Ethernet Splitter
POE-162S	IEEE 802.3at Gigabit High Power over Ethernet Splitter
POE-E101	IEEE 802.3af Power over Ethernet Extender
POE-E201	IEEE 802.3at Power over Ethernet Extender
WNAP-C3220	802.11n Wireless Ceiling Mount PoE Access Point
WNAP-1120PE	802.11n Wireless Access Point with PoE
ICF-1700	Touch Screen Internet Multimedia Phone
VIP-255PT	Multi-Language PoE IP Phone
VIP-256PT	802.3af PoE SIP IP Phone
VIP-360PT	Business PoE IP Phone
VIP-361PE	Professional PoE IP Phone (5-Line)
VIP-560PT	Professional PoE IP Phone