

# 15-Slot Media Converter Chassis



Providing more capacity to the converters in one chassis, PLANET MC-1500 provides 15 slots in the 19" rack, saving more spaces for fiber-optic wiring yet easing the maintenance of media conversion.

The MC-1500 media chassis allows the connectivity of up to 15 PLANET Ethernet/Fast Ethernet Gigabit Ethernet Converters in one chassis. Two fans with LED indicators are designed for cooling the system and keeping you informed about the status of the system and fan.

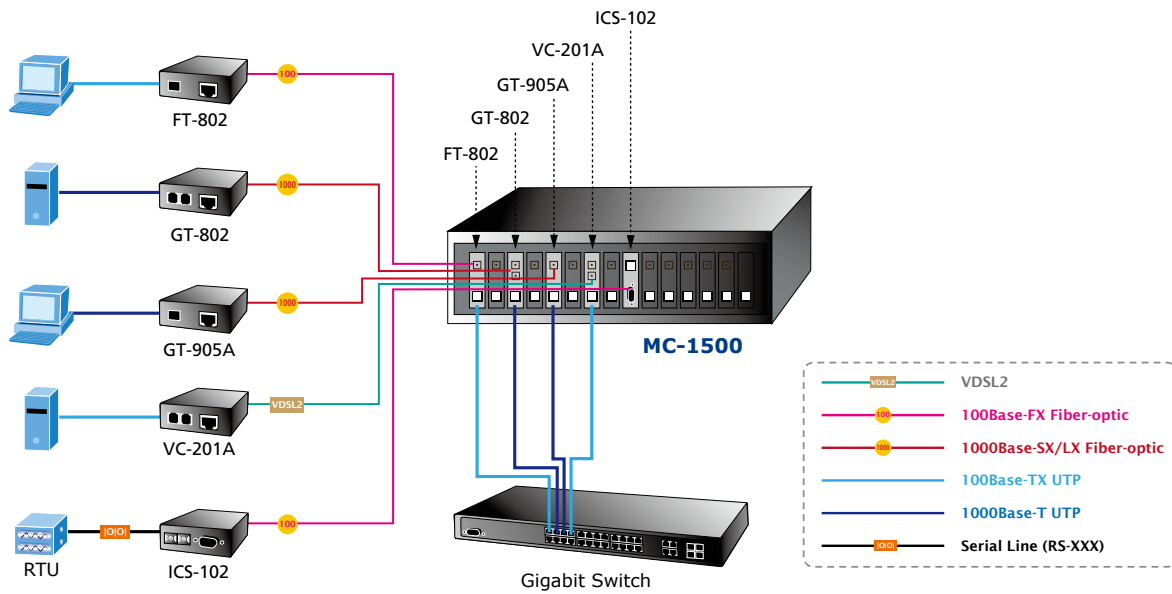
The independent power supply in each bay of the MC 1500 can let you freely install the converters without interrupting the rest of the networks. Moreover, each bay of the media center can be deployed like PLANET's converter family-like Ethernet, Fast Ethernet twisted pair to fiber-optic conversion, Gigabit SX to LX conversion, etc.

## Applications

### *Fiber-optic wiring/ Media conversion center*

With up to 15 bays, this high-density media chassis can simply be a conversion center of your fiber-optic network, or a network with the demand for multiple media interfaces in a cost-effective way.

- High quality 19" Rack-mountable Chassis installation
- Supports up to 15 modular media converters
- Two fans brings air-flow to cool system, and LED indicators for system and fan status
- Bay power isolation to ensure each bay is electrically isolated from each other
- Supports multiple converters - 10/100/1000Mbps, copper, fiber, single/multi-mode ST/SC/MTRJ connectors
- Reduces the effort of converter maintenance and management, diagnose the status at one time
- Cost-effective, easy to install



## Specifications

Slot	15 open slots; 27 x 95 x 71 mm (W x D x H)
Dimensions (W x H x D)	440 mm x 103 mm x 180 mm, 2.4U height
Power Requirements	100-240V AC, 1.8A, 50/60Hz
Power Output	+5V DC per slot, 1A minimum
DC Output	+5VDC (+/-1%) per slot
LED Indicators	3, Power, Fan A, Fan B (On: operating; Off: device or fan fail)
Environment	Temperature: 0~50 degrees C (operating); -20~70 degrees C (storage) Humidity: 0~90% (non-condensing)
Compliance	FCC Class A, CE-mark
Slot	15 open slots; 27 x 95 x 71 mm (W x D x H)
Dimensions (W x H x D)	440 mm x 103 mm x 180 mm, 2.4U height
Power Requirements	100-240V AC, 1.8A, 50/60Hz
Power Output	+5V DC per slot, 1A minimum
DC Output	+5V DC (+/-1%) per slot

## Ordering Information

MC-1500	19-inch Media Converter Chassis with 15 Slots
---------	---

## Related Products

FT-1205A	2 SFP / 1 TP Redundant Fast Ethernet Media Converter
FT-80x Series	10/100Base-TX to 100Base-FX Bridge Media Converters
FT-90x Series	10/100Base-TX to 100Base-FX Web Smart Media Converter
GT-70x Series	1000Base-T to 1000Base-SX/LX Gigabit Media Converter
GT-80x Series	10/100/1000Base-T to 1000Base-SX/LX Gigabit Media Converter
GT-90x Series	10/100/1000Base-T to 1000Base-SX/LX Managed Gigabit Media Converter
VC-201A	Ethernet over VDSL2 Converter
VC-202A	1-Port 10/100Base-TX + 1-Port BNC Ethernet over Coaxial Extender
VC-231	Ethernet over VDSL2 Converter (Profile 30a)
ICS-10X Series	RS-232 / RS-422 / RS-485 over Fast Ethernet Media Converter
VF-10X-KIT Series	Video over Fiber Media Converter Kit

### PLANET Technology Corporation

11F., No.96, Minquan Rd., Xindian Dist., New Taipei City  
 231, Taiwan (R.O.C.)  
 Tel: 886-2-2219-9518 Fax: 886-2-2219-9528  
 Email: sales@planet.com.tw www.planet.com.tw



PLANET reserves the right to change specifications without prior notice. All brand names and trademarks are property of their respective owners. Copyright © 2014 PLANET Technology Corp. All rights reserved.

C-MC-1500