

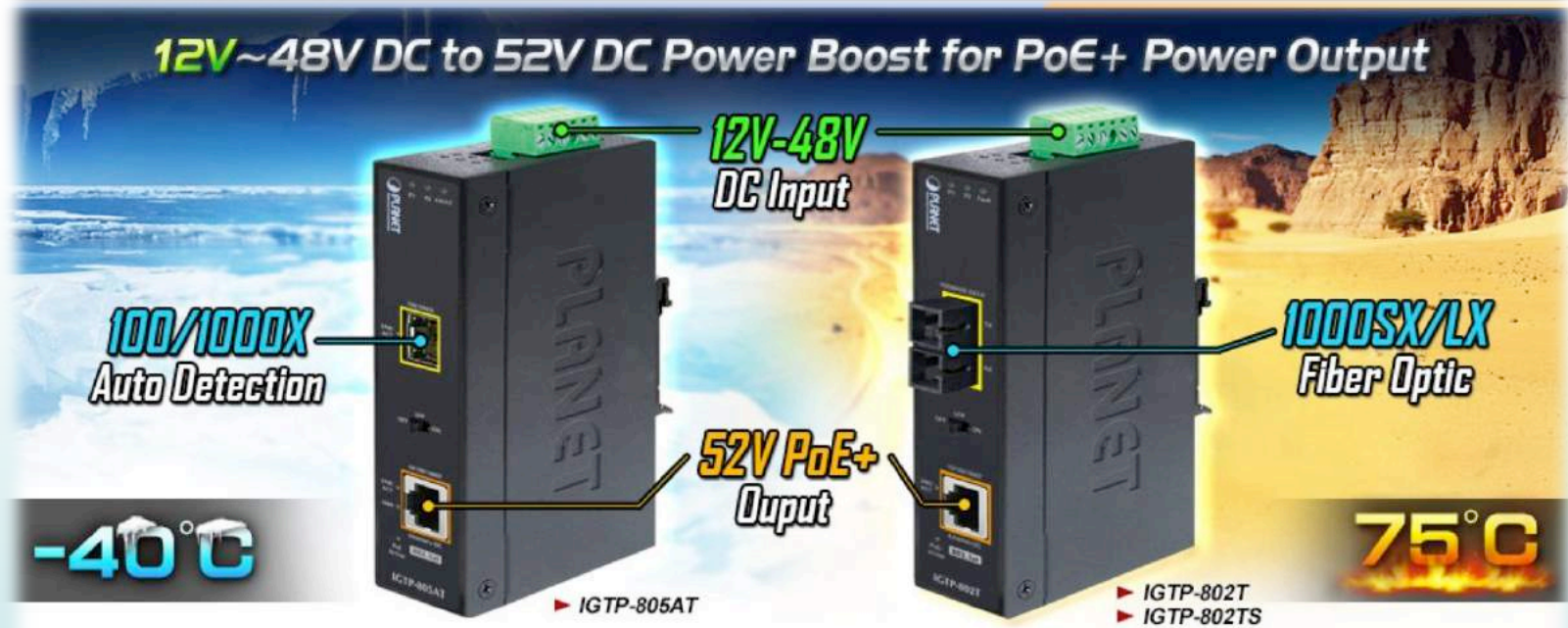
## Industrial 1000BASE-SX/LX to 10/100/1000BASE-T 802.3at PoE+ Media Converter

**IGTP-802T / IGTP-802TS / IGTP-805AT**



## Presentation Outlines

- ◆ **Product Overview**
- ◆ **Product Benefits**
- ◆ **Product Features**
- ◆ **Application**
- ◆ **Comparison**
- ◆ **Appendix**



**Robust Gigabit PoE Network Extension in Harsh Environment**

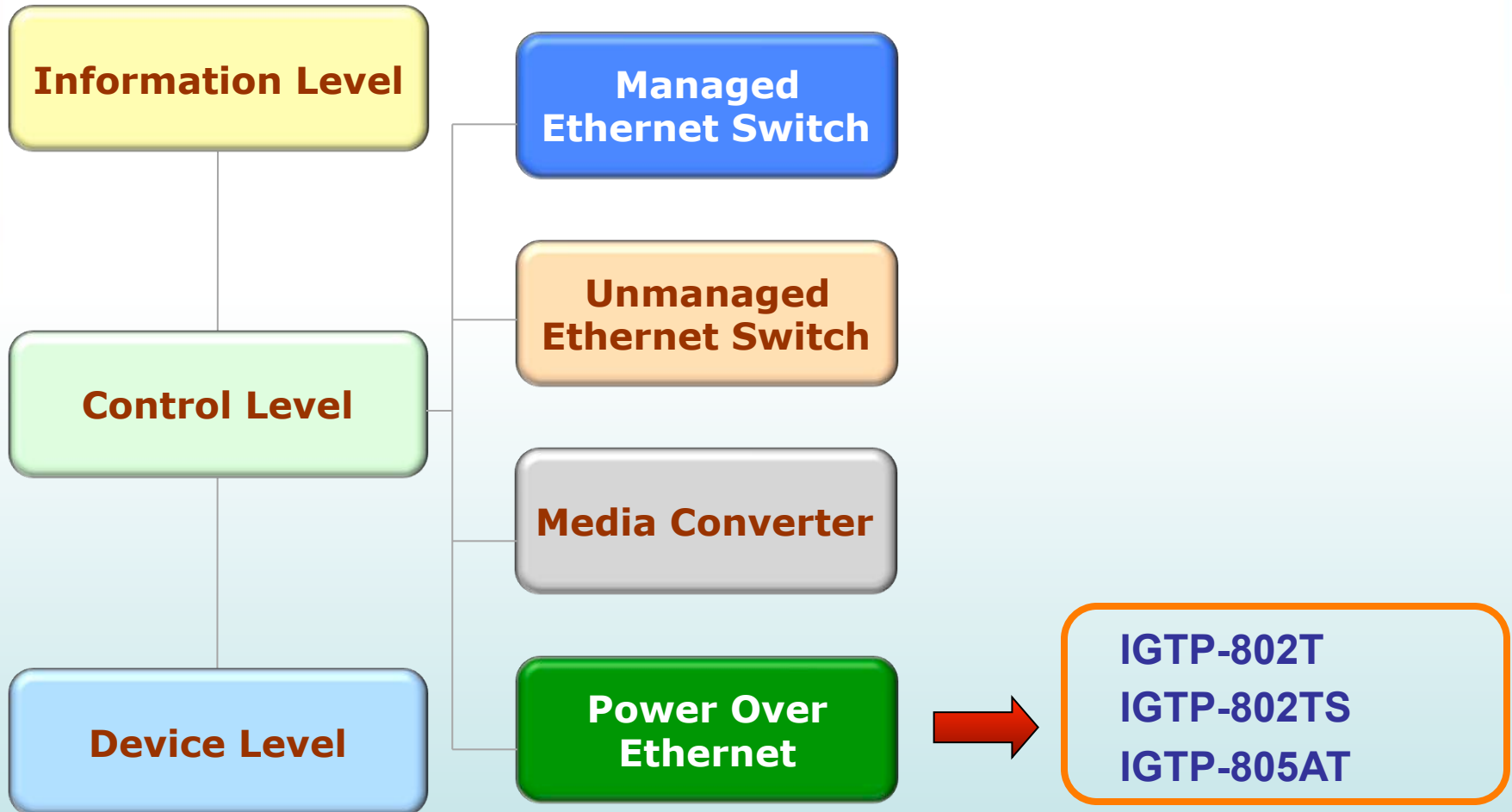
1000BASE-X to 10/100/1000BASE-T 802.3at PoE+ Industrial Media Converter ▶ **IGTP-80XT Series**

# Product Positioning



# Product Overview

## ◆ PLANET Industrial Product Classification



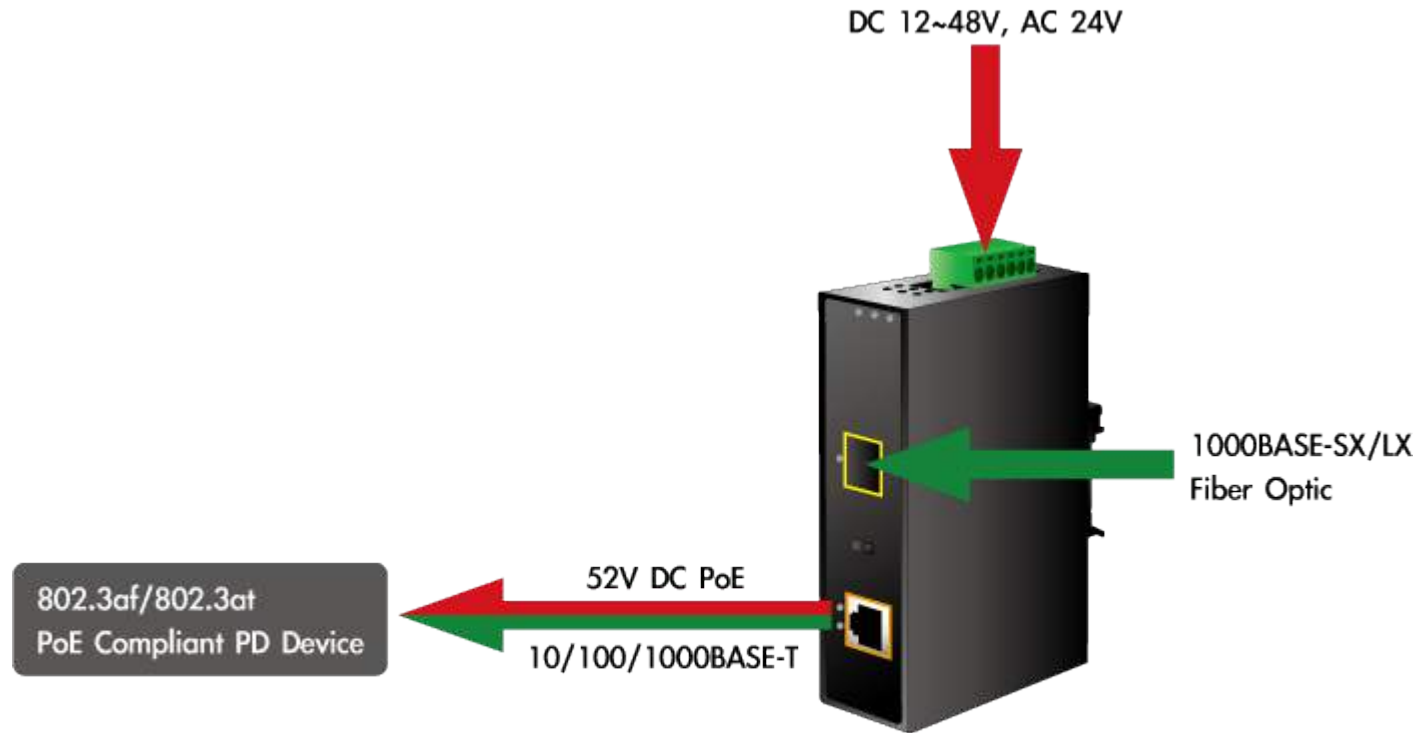
# Product Overview





# Product Overview




## **802.3at PoE+ Industrial** Gigabit Media Converter



**12~48V DC to 52V DC PoE Power Boost**

**1000BASE-SX/LX to 10/100/1000BASE-T Media Converter**

# Product Overview – Model List

	IGTP-802T	IGTP-802TS	IGTP-805AT
			
<b>Optical Interface</b>	1000BASE-SX	1000BASE-LX	Supports <b>100BASE-FX</b> and <b>1000BASE-X</b> (Depending on module)
<b>Optical Connector</b>	SC	SC	SFP
<b>Mode</b>	Multi-mode	Single mode	Depending on module
<b>Max. Distance</b>	220m 550m	10km	Depending on module
<b>Copper Interface</b>	10/100/1000BASE-T, RJ45		
<b>PoE Standard</b>	802.3at PoE+, 30 watts		
<b>Power Input</b>	<b>12~48V DC, 24V AC</b>		

# Product Overview

## ◆ Front Panel of IGTP-802T/IGTP-802TS

- ✓ **12~48V DC** redundant power terminal block
- ✓ Power 1, power 2, Fault LED
- ✓ **1000BASE-SX/LX SC** fiber optic port and LNK/ACT LED
- ✓ **LFP** (Link Fault Passthrough) ON / OFF switch
- ✓ **10/100/1000BASE-T** Ethernet port with 802.3at PoE Injector function. LNK/ACT, 1000, PoE-in-Use LEDs

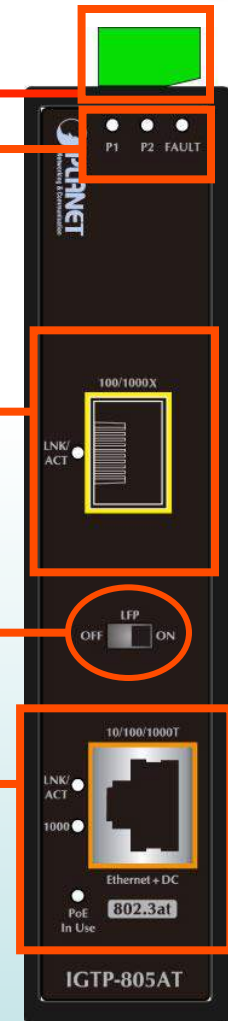




# Product Overview

## ◆ Front Panel of IGTP-805AT

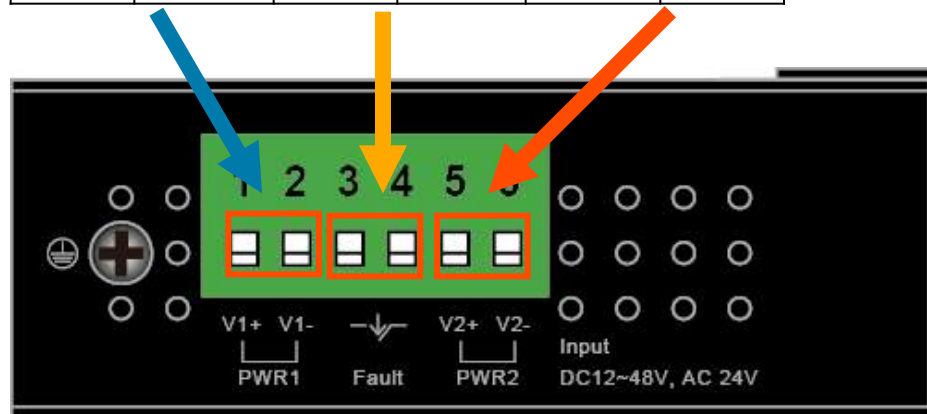
- ✓ **12~48V DC** redundant power terminal block
- ✓ Power 1, power 2, Fault LED
- ✓ **100BASE-FX/1000BASE-SX/LX SFP** slot and LNK/ACT LED
- ✓ **LFP** (Link Fault Pass through) ON / OFF switch
- ✓ **10/100/1000BASE-T** Ethernet port with 802.3at PoE Injector function. LNK/ACT, 1000, PoE in-Use LEDs



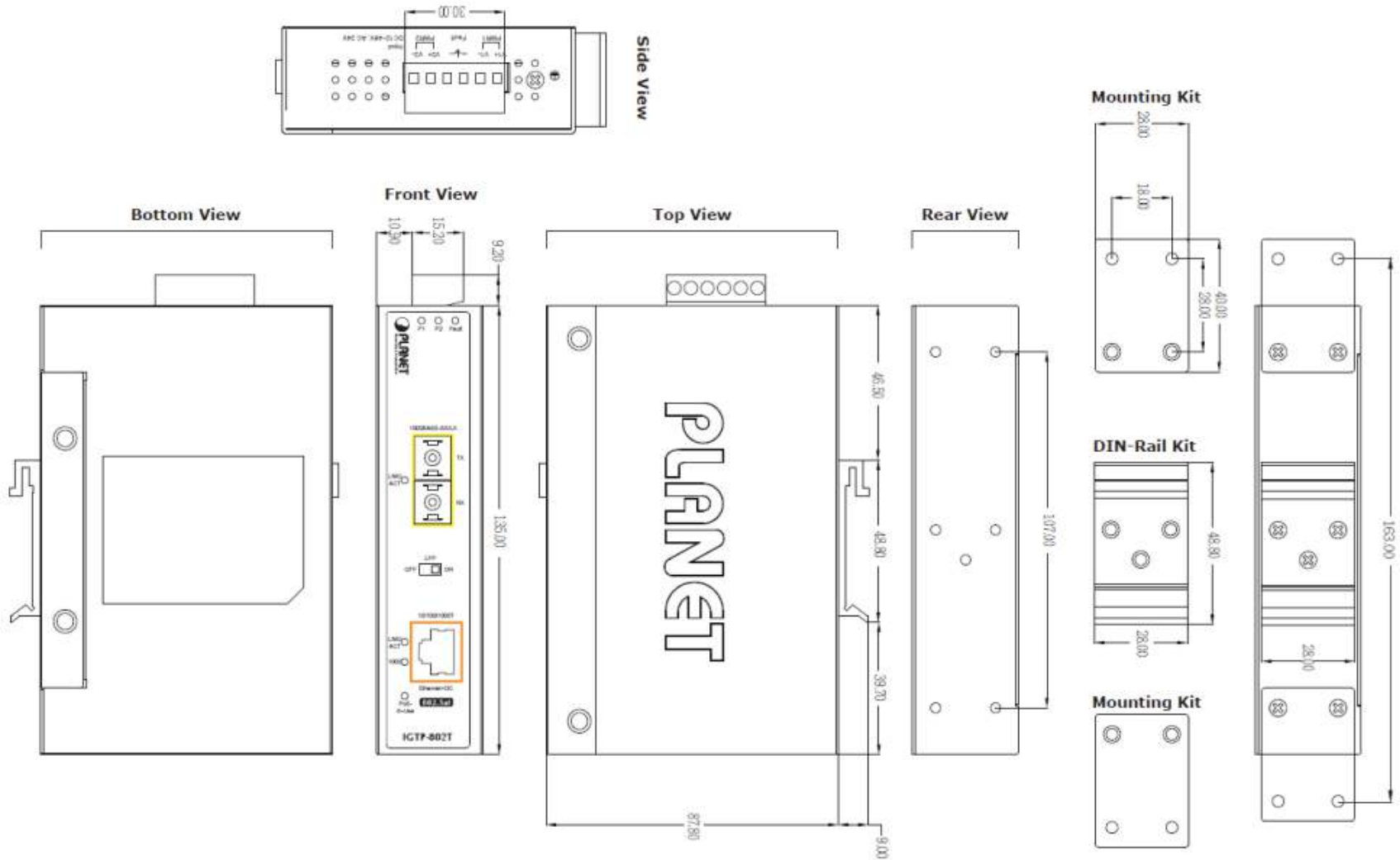
# Product Overview

- ◆ **Upper Panel of IGTP-80xT**
  - ✓ **12~48V DC** redundant power input
  - ✓ **Supports Real-time Power Fault Relay Alarm**

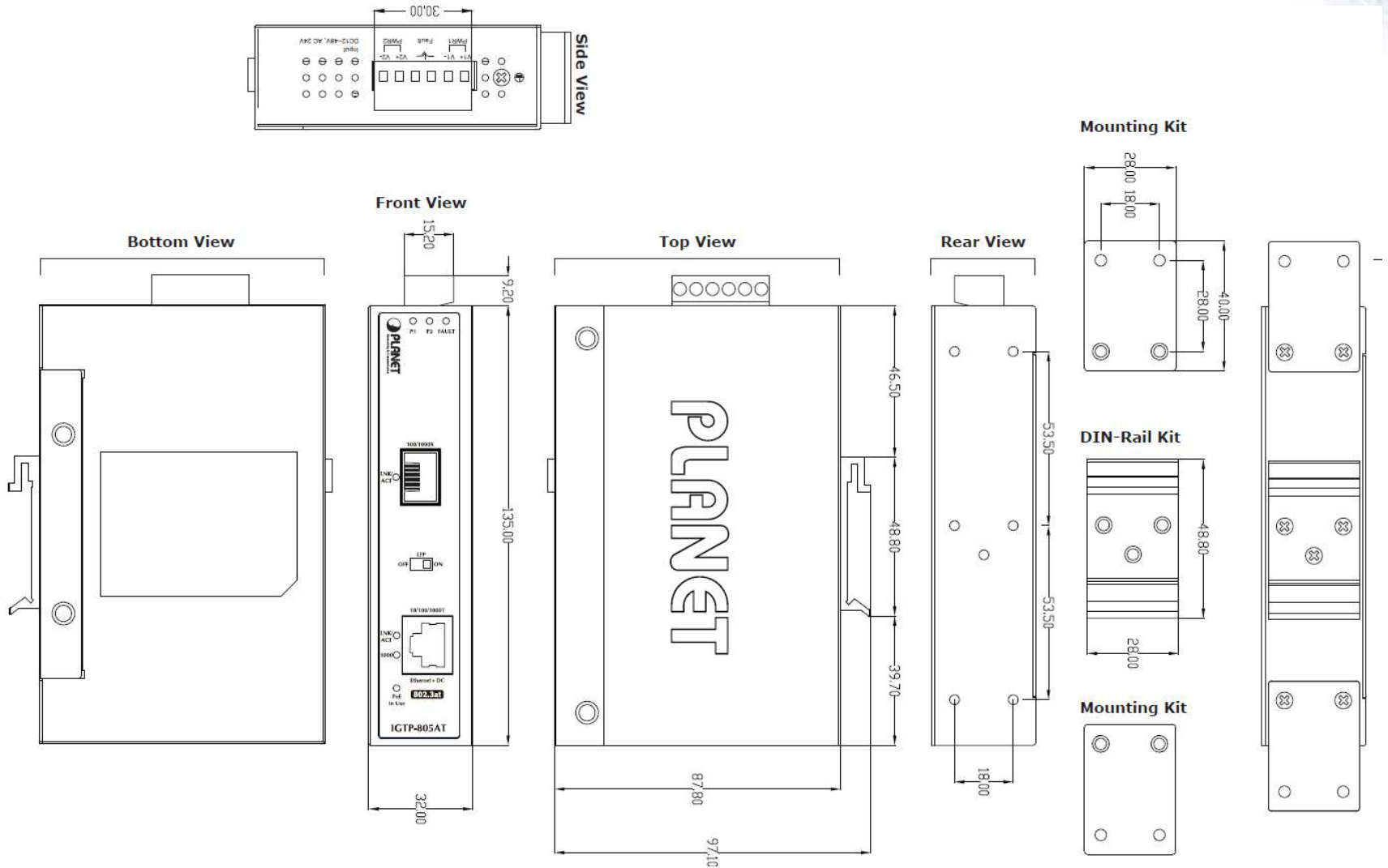
<b>1</b>	<b>2</b>	<b>3</b>	<b>4</b>	<b>5</b>	<b>6</b>
<b>Power 1</b>		<b>Fault</b>		<b>Power 2</b>	
+	-			+	-



# Product Overview – Three View Drawing

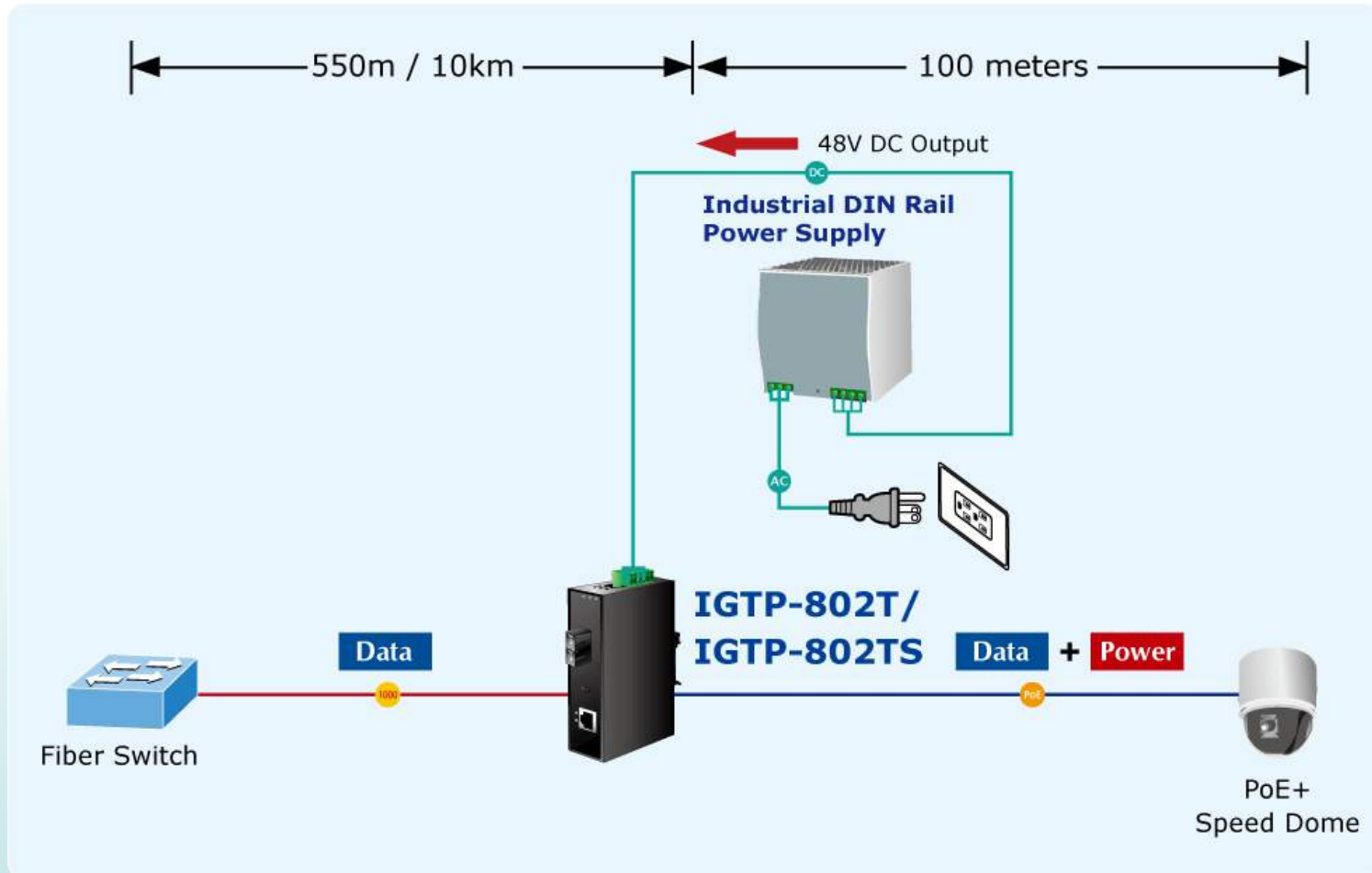


# Product Overview – Three View Drawing



# Product Overview

## ◆ Basic Installation



# Product Benefits





## Key Benefits

- ◆ Complies with IEEE 802.3at PoE+ standard, **end-span PSE, 1/2(+), 3/6(-)**
- ◆ **12~48V DC**, redundant power with polarity reverse protection function
- ◆ **DC 52V** power over RJ45 Ethernet cable to devices with Ethernet port
- ◆ PoE power up to **30 watts per PoE** port
- ◆ **-40 to 75 degrees C** operating temperature
- ◆ Auto detects PoE IEEE 802.3at / 802.3af equipment
- ◆ **IEEE 802.3at / 802.3af** Splitter devices compatible
- ◆ **LFP (Link Fault Passthrough)** ON/OFF DIP switch
- ◆ **IP30** metal case; DIN-rail and Wall-mountable designs
- ◆ **6KV DC** Ethernet **ESD** protection
- ◆ Remote power feeding up to **100m**

# Product Features



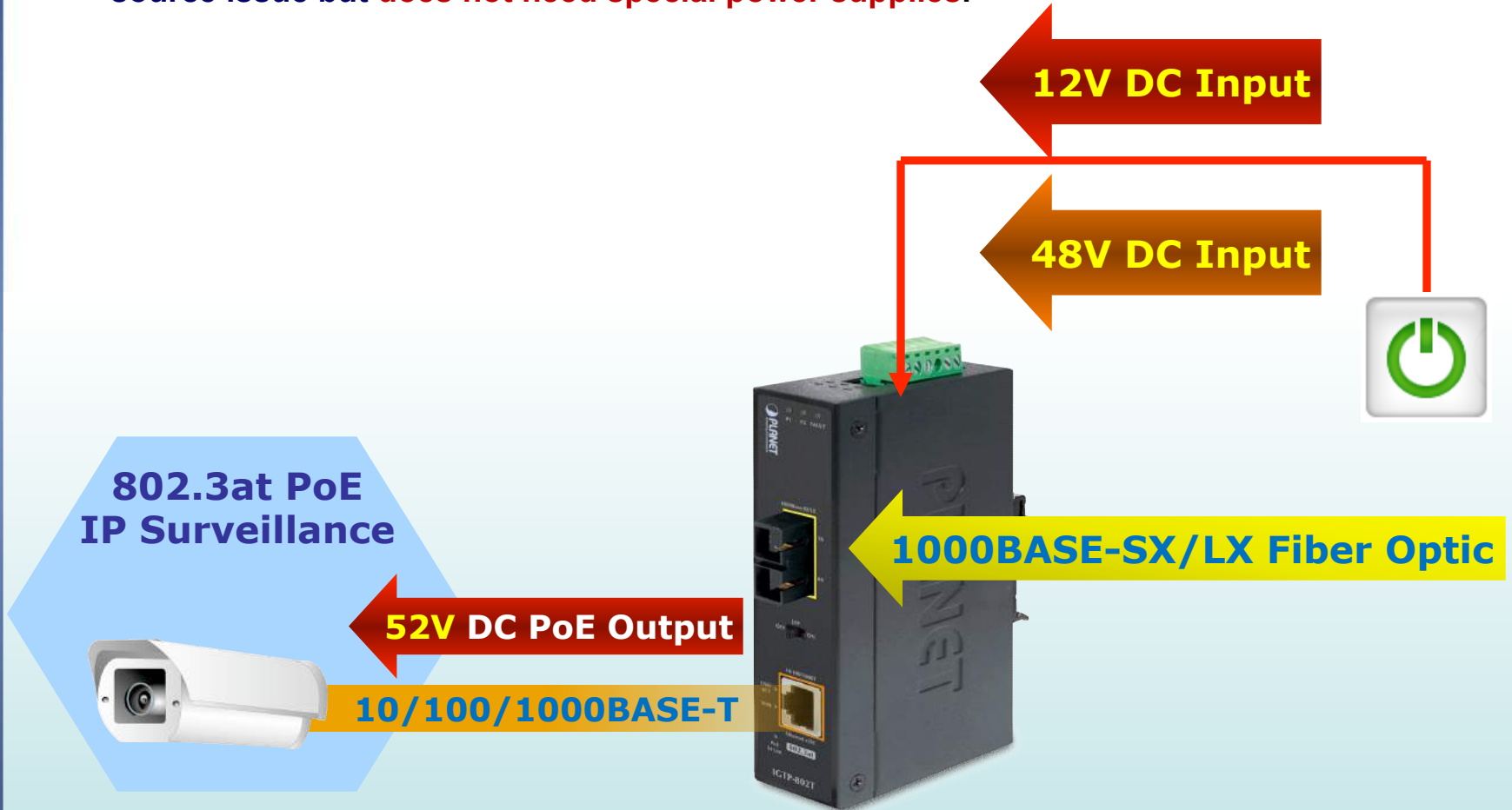
# Product Features

## ◆ Hardware

- 1-Port 10/100/1000Mbps Gigabit Ethernet RJ45 interface
- 1-Port **1000BASE-SX/LX** fiber optic port (IGTP-802T / IGTP-802TS)
- 1-Port **100BASE-FX/1000BASE-SX/LX** mini-GBIC slot (IGTP-805AT)
- Power 1, power 2 and Fault LEDs for system status monitoring
- LNK/ACT LED for fiber port and TP port, PoE-in-use LED for PoE port
- Supports 9KB jumbo frame packet size
- Back pressure for half duplex, IEEE 802.3x for full duplex flow control

# Product Features

- ◆ The IGTP-80xT series adapts **12~48V to 52V** power boost technology to solving power source issue but **does not need special power supplies.**



# Product Overview

- **Real-time Power Fault Relay Alarm**



# Applications



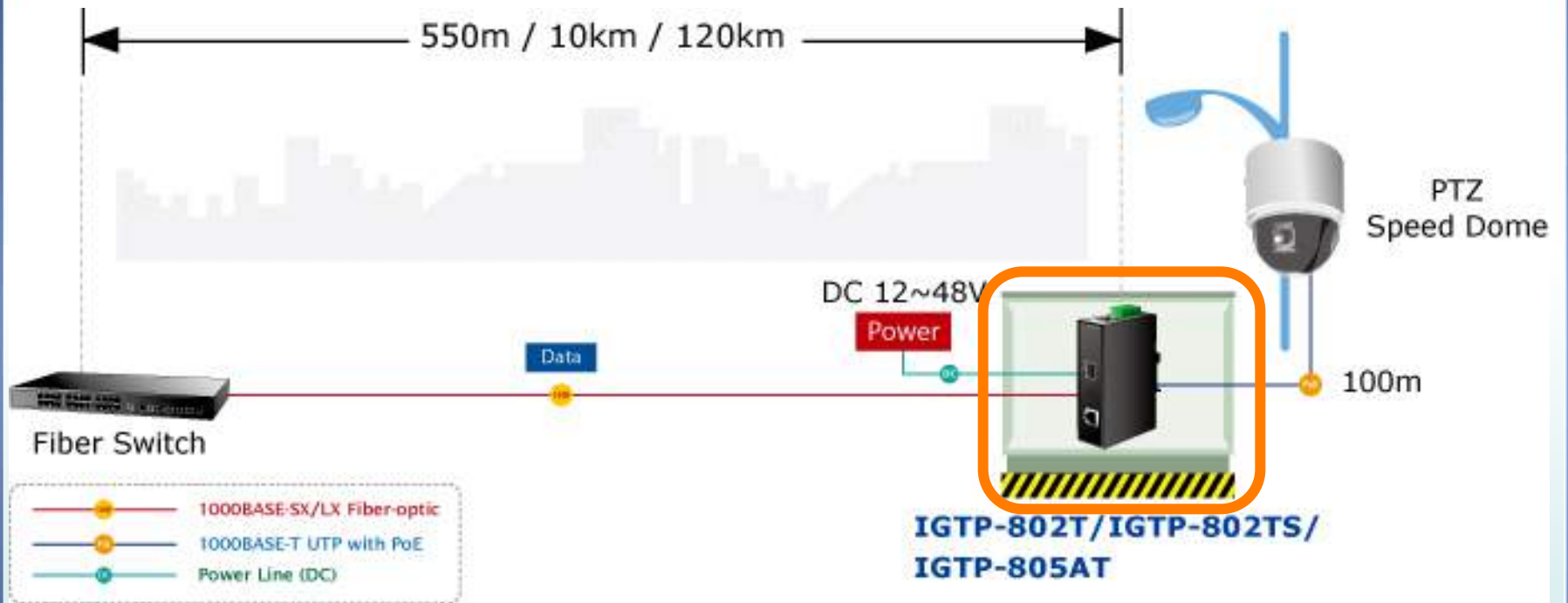


# Applications

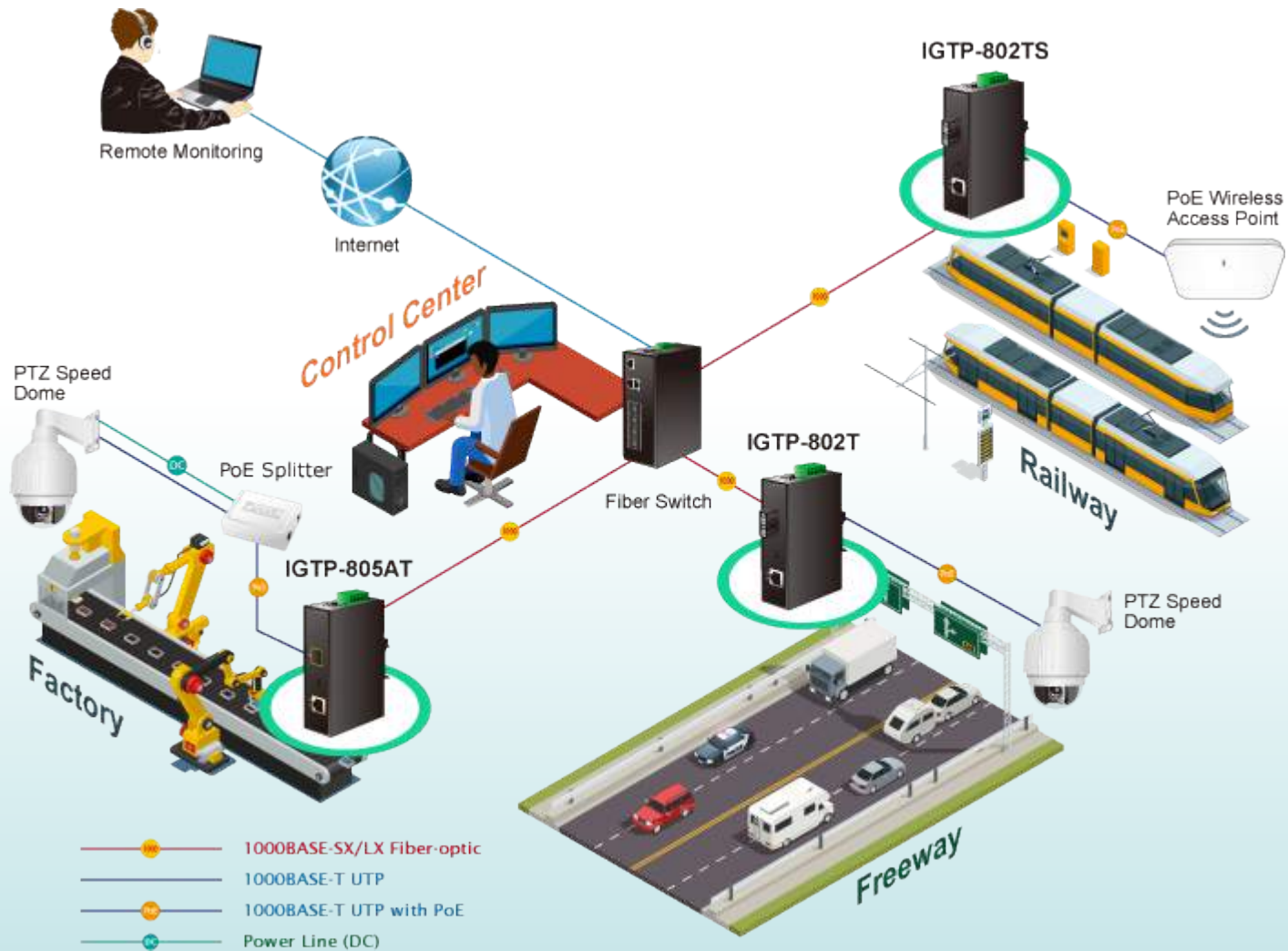
## ◆ Flexible and User-friendly PoE Deployment with Gigabit Fiber Extension

- ✓ For the places difficult to find the power outlet, the IGTP-80xT provides the easiest way to power network equipment such as **PTZ (Pan, Tilt & Zoom) IP cameras, speed dome IP cameras, color touch-screen VoIP telephones, multi-channel (IEEE 802.11a/b/g/n/ac) wireless LAN access points** and other network devices that need higher power to function normally.
- ✓ For instance, users can flexibly install security IP camera, wireless access point and other IEEE 802.3at /IEEE 802.3af compliant network equipment in the public areas such as stations, freeways, airports and campuses for surveillance and wireless roaming needs

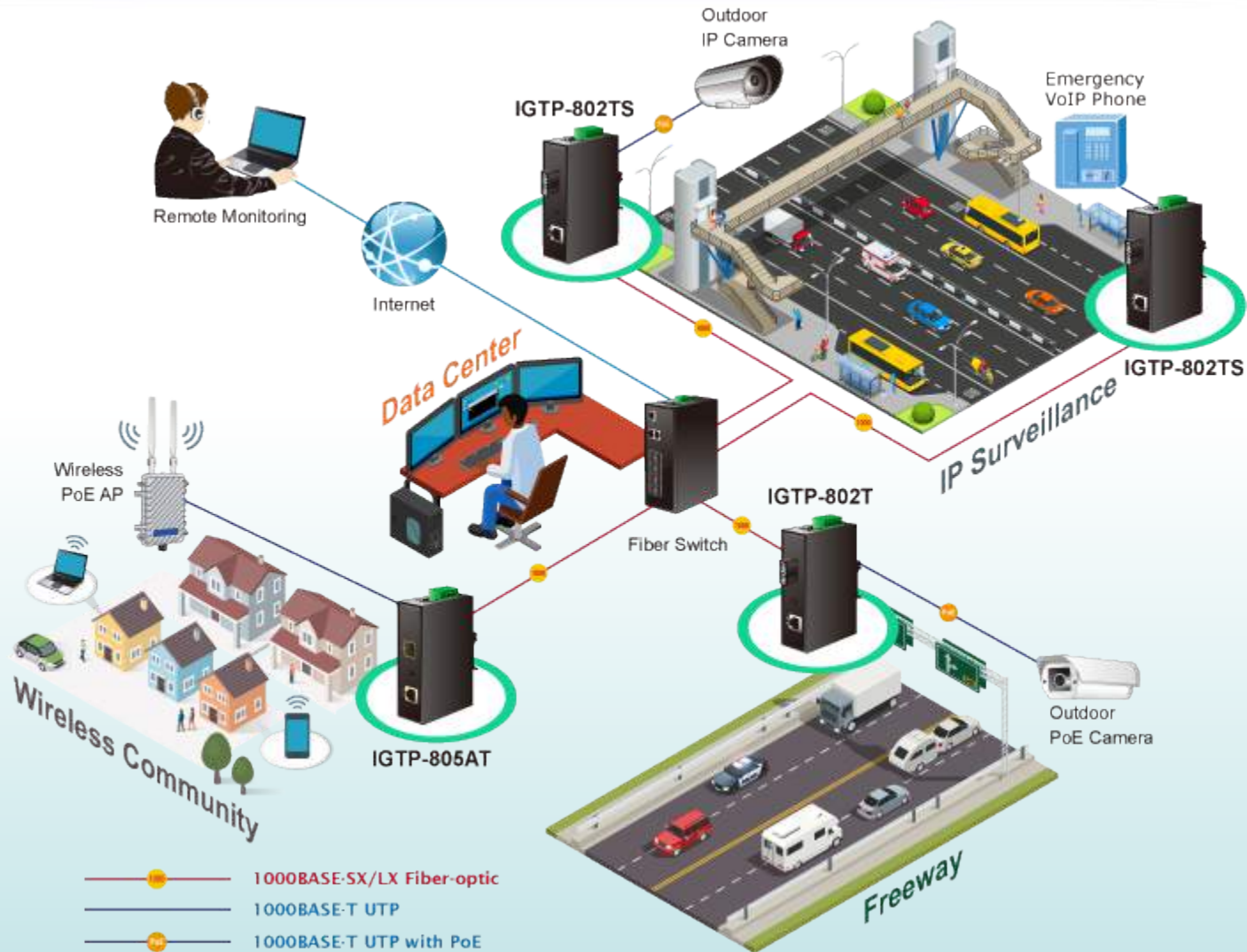
# Applications



# Applications



# Applications



# Appendix



# Appendix Sales Target

## ◆ Target Markets

- ✓ Tender Market (Public Construction)
- ✓ System Integrator
- ✓ IE Distributor
- ✓ Factory
- ✓ Transportation
- ✓ Hospital
- ✓ Bank





# Appendix

## ◆ Available SFP Modules for IGTP-805AT

- ✓ MGB-GT SFP-Port 1000BASE-T Module
- ✓ MGB-SX SFP-Port 1000BASE-SX mini-GBIC module
- ✓ MGB-LX SFP-Port 1000BASE-LX mini-GBIC module
- ✓ MGB-L50 SFP-Port 1000BASE-LX mini-GBIC module - 50km
- ✓ MGB-L70 SFP-Port 1000BASE-LX mini-GBIC module - 70km
- ✓ MGB-L120 SFP-Port 1000BASE-LX mini-GBIC module - 120km
- ✓ MGB-LA10 SFP-Port 1000BASE-LX (WDM,TX:1310nm) mini-GBIC module - 10km
- ✓ MGB-LB10 SFP-Port 1000BASE-LX (WDM,TX:1550nm) mini-GBIC module - 10km
- ✓ MGB-LA20 SFP-Port 1000BASE-LX (WDM,TX:1310nm) mini-GBIC module - 20km
- ✓ MGB-LB20 SFP-Port 1000BASE-LX (WDM,TX:1550nm) mini-GBIC module - 20km
- ✓ MGB-LA40 SFP-Port 1000BASE-LX (WDM,TX:1310nm) mini-GBIC module - 40km
- ✓ MGB-LB40 SFP-Port 1000BASE-LX (WDM,TX:1550nm) mini-GBIC module - 40km
- ✓ MGB-TSX SFP-Port 1000BASE-SX mini-GBIC module - 550m (-40~75°C)
- ✓ MGB-TLX SFP-Port 1000BASE-LX mini-GBIC module - 10km (-40~75°C)
- ✓ MGB-TL30 SFP-Port 1000BASE-LX mini-GBIC module - 30km (-40~75°C)
- ✓ MGB-TL70 SFP-Port 1000BASE-LX mini-GBIC module - 70km (-40~75°C)

# Appendix

## ◆ Available SFP Modules for IGTP-805AT

- ✓ **MGB-GT SFP-Port 1000BASE-T Module**
- ✓ **MFB-FX SFP-Port 100BASE-FX Transceiver (1310nm) - 2km**
- ✓ **MFB-F20 SFP-Port 100BASE-FX Transceiver (1310nm) - 20km**
- ✓ **MFB-F60 SFP-Port 100BASE-FX Transceiver (1310nm) - 60km**
- ✓ **MFB-FA20 SFP-Port 100BASE-BX Transceiver (WDM,TX:1310nm) - 20km**
- ✓ **MFB-FB20 SFP-Port 100BASE-BX Transceiver (WDM,TX:1550nm) - 20km**
- ✓ **MFB-TF20 SFP-Port 100BASE-FX Transceiver (1310nm) - 20km (-40~75°C)**
- ✓ **MFB-TFX SFP-Port 100BASE-FX Transceiver (1310nm) - 2km (-40~75°C)**

# Appendix

## ◆ Available DIN-rail Power Supplies:

- ✓ **PWR-40-24** 40W 24V DC Industrial DIN-rail Power Supply (-20 ~ 70 degrees C)
- ✓ **PWR-60-24** 60W 24V DC Industrial DIN-rail Power Supply (-20 ~ 70 degrees C)
- ✓ **PWR-75-48** 75W 48V DC Industrial DIN-rail Power Supply (Voltage Adj. Range: 48~56V)
- ✓ **PWR-120-48** 120W 48V DC Industrial DIN-rail Power Supply (Voltage Adj. Range: 48~56V)

