

# DC Single Output Industrial DIN-rail Power Supply Units



## Compact Size with more Practicability and Convenience

PLANET has released a series of DC single output industrial DIN-rail power supply units to make sure that industrial Ethernet devices, specially designed for the harsh working environment, get DC voltage power easily.

PLANET DC single output industrial DIN rail power supply units accept universal 100-240V AC input voltage and provide 48V DC power output with various watt values. Its power supply units are designed in compact size and can be installed on DIN rail TS-35 / 7.5 or 15. It is an ideal and convenient DC power feeding solution for Industrial equipment under heavy Industrial environments.

## Stable Performance under Difficult Environments

PLANET DC single output industrial DIN-rail power supply units come with such protection features as short circuit, overload, over voltage and over temperature for the stable operation of industrial Ethernet equipment. It uses the free air convection cooling system to prevent operating temperature from rising. Being able to operate under the temperature range from -30 to 70 degrees C (maximum), the DC single output industrial DIN-rail power supply units can be placed in almost any difficult environments.

## PWR-75-48 (MEAN WELL -- NDR-75-48)

- Universal AC input for full operation
- Protection features: short circuit, overload, over voltage and over temperature
- Cooling by free air convection
- DIN rail TS-35/7.5 or 15 installation
- UL 508 (industrial control equipment) approved
- EN61000-6-2 (EN50082-2) industrial immunity level
- 100% full load burn-in test

## PWR-120-48 (MEAN WELL -- NDR-120-48)

- Universal AC input for full operation
- Protection features: short circuit, overload, over voltage and over temperature
- Cooling by free air convection
- DIN rail TS-35/7.5 or 15 installation
- UL 508 (industrial control equipment) approved
- EN61000-6-2 (EN50082-2) industrial immunity level
- 100% full load burn-in test

## PWR-240-48 (MEAN WELL -- NDR-240-48)

- Universal AC input for full operation
- Built-in active PFC function
- Protection features: short circuit, overload, over voltage and over temperature
- Cooling by free air convection
- DIN rail TS-35/7.5 or 15 installation
- UL 508 (industrial control equipment) approved
- EN61000-6-2 (EN50082-2) industrial immunity level
- 100% full load burn-in test

## Applications

### Ideal 48V DC Power Feeding Solution for PoE Industrial Equipment

The following DC single output industrial DIN-rail power supply units provide sufficient 48V power to industrial PoE equipment, such as industrial PoE Ethernet switches and industrial PoE wireless access points. The model names and specifications are:

■ **PWR-75-48 (MEAN WELL -- NDR-75-48):**

75W 48V DC Single Output Industrial DIN-rail Power Supply (-20 ~ 70 degrees C)

■ **PWR-120-48 (MEAN WELL -- NDR-120-48):**

120W 48V DC Single Output Industrial DIN-rail Power Supply (-20 ~ 70 degrees C)

■ **PWR-240-48 (MEAN WELL -- NDR-240-48):**

240W 48V DC Single Output Industrial DIN-rail Power Supply (-20 ~ 70 degrees C)

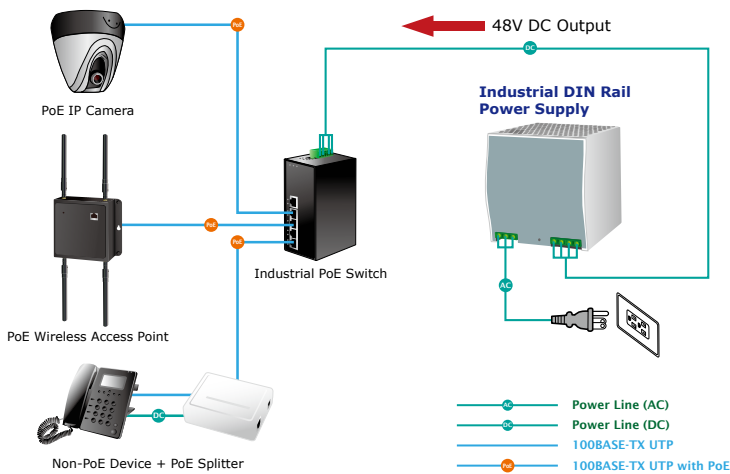
■ **PWR-480-48 (MEAN WELL -- NDR-480-48):**

480W 48V DC Single Output Industrial DIN-rail Power Supply (-20 ~ 70 degrees C)

■ **PWR-960-48 (MEAN WELL -- SDR-960-48):**

960W 48V DC Single Output Industrial DIN-rail Power Supply (-30 ~ 70 degrees C)

### Control level



### PWR-480-48 (MEAN WELL -- NDR-480-48)

- Universal AC input full operation
- Built-in active PFC function
- Protection features: short circuit, overload, over voltage and over temperature
- Cooling by free air convection
- DIN rail TS-35/7.5 or 15 installation
- UL 508 (industrial control equipment) approved
- EN61000-6-2 (EN50082-2) industrial immunity level
- 100% full load burn-in test

### PWR-960-48 (MEAN WELL -- SDR-960-48)

- Universal AC input full operation
- Built-in active PFC function
- Protection features: short circuit, overload, over voltage and over temperature
- Cooling by free air convection
- DIN rail TS-35/7.5 or 15 installation
- UL 508 (industrial control equipment) approved
- EN61000-6-2 (EN50082-2) industrial immunity level
- 100% full load burn-in test

## Specifications

Model	PWR-75-48 (MEAN WELL -- NDR-75-48)
<b>Hardware Specifications</b>	
Dimensions (W x H x D)	32 x 125 x 102 mm
Weight (kg)	0.51kg
Input Voltage	100-240V AC, 50/60Hz, 1.45A
Power Output	75 watts, 48V, 1.6A
Temperature	<b>Operating:</b> -20~70 degrees C (**) <b>Storage:</b> -40~85 degrees C
Humidity	Operating: 20 ~ 95% Storage: 10 ~ 95% (non-condensing)
Installation	DIN rail TS-35/7.5 or 15
Safety & Function	UI508, TUV EN60950-1 approved (meeting EN60204-1)

The specification is for PWR-75-48 hardware version 1 only.

\*\* Please refer to output load derating curve from product specification.

Model	PWR-120-48 (MEAN WELL -- NDR-120-48)
<b>Hardware Specifications</b>	
Hardware Version	2
Dimensions (W x H x D)	40 x 125 x 113 mm
Weight (kg)	0.6kg
Input Voltage	100-240V AC, 50/60Hz, 2.25A
Power Output	120 watts, 48V, 2.5A
Temperature	<b>Operating:</b> -20~70 degrees C (**) <b>Storage:</b> -40~85 degrees C
Humidity	<b>Operating:</b> 20 ~ 95% <b>Storage:</b> 10 ~ 95% (non-condensing)
Installation	DIN rail TS-35/7.5 or 15
Safety & Function	UI508, TUV EN60950-1 approved (meeting EN60204-1)

The specification is for PWR-120-48 hardware version 2 only.

\*\* Please refer to output load derating curve from product specification.

Model	PWR-240-48 (MEAN WELL -- NDR-240-48)
<b>Hardware Specifications</b>	
Hardware Version	2
Dimensions (W x H x D)	63 x 125 x 113 mm
Weight (kg)	1kg
Input Voltage	100-240V AC, 50/60Hz, 2.5A
Power Output	240 watts, 48V, 5A
Temperature	<b>Operating:</b> -20~70 degrees C (**) <b>Storage:</b> -40~85 degrees C
Humidity	<b>Operating:</b> 20 ~ 95% <b>Storage:</b> 10 ~ 95% (non-condensing)
Installation	DIN rail TS-35/7.5 or 15
Safety & Function	UI508, TUV EN60950-1 approved (meeting EN60204-1)

The specification is for PWR-240-48 hardware version 2 only.

\*\* Please refer to output load derating curve from product specification.

Model	PWR-480-48 (MEAN WELL -- NDR-480-48)
<b>Hardware Specifications</b>	
Hardware Version	2
Dimensions (W x H x D)	85 x 125 x 128mm
Weight (kg)	1.5kg
Input Voltage	100-240V AC, 50/60Hz, 4.8A
Power Output	480 watts, 48V, 10A
Temperature	<b>Operating:</b> -20~70 degrees C (**) <b>Storage:</b> -40~85 degrees C
Humidity	<b>Operating:</b> 20~95% <b>Storage:</b> 10 ~ 95% (non-condensing)
Installation	DIN rail TS-35/7.5 or 15
Safety & Function	UL508, TUV EN60950-1 approved (meeting EN60204-1)

**The specification is for PWR-480-48 hardware version 2 only.**

\*\* Please refer to output load derating curve from product specification.

Model	PWR-960-48 (MEAN WELL -- SDR-960-48)
<b>Hardware Specifications</b>	
Dimensions (W x H x D)	110 x 125 x 150mm
Weight (kg)	2.47kg
Input Voltage	200-240V AC, 50/60Hz, 6A
Power Output	960 watts, 48V, 20A
Temperature	<b>Operating:</b> -30~70 degrees C (**) <b>Storage:</b> -40~85 degrees C
Humidity	Operating: 20 ~ 95% Storage: 10 ~ 95% (non-condensing)
Installation	DIN rail TS-35/7.5 or 15
Safety & Function	UL508, UV BS EN/EN62368-1, BSMI CNS14336-1, AS/NZS62368.1, EAC TP TC 004 approved (meeting EN60204-1)

**\*The specification is for PWR-960-48 hardware version 1 only.**

\*\* Please refer to output load derating curve from product specification.

## Ordering Information

PWR-75-48 (MEAN WELL -- NDR-75-48)	75W 48V DC Single Output Industrial DIN-rail Power Supply (-20 ~ 70 degrees C)
PWR-120-48 (MEAN WELL -- NDR-120-48)	120W 48V DC Single Output Industrial DIN-rail Power Supply (-20 ~ 70 degrees C)
PWR-240-48 (MEAN WELL -- NDR-240-48)	240W 48V DC Single Output Industrial DIN-rail Power Supply (-20 ~ 70 degrees C)
PWR-480-48 (MEAN WELL -- NDR-480-48)	480W 48V DC Single Output Industrial DIN-rail Power Supply (-20 ~ 70 degrees C)
PWR-960-48 (MEAN WELL -- SDR-960-48)	960W 48V DC Single Output Industrial DIN-rail Power Supply (-30 ~ 70 degrees C)

### PLANET Technology Corporation

11F., No.96, Minquan Rd., Xindian Dist., New Taipei City 231, Taiwan (R.O.C.)

Tel: 886-2-2219-9518

Email: sales@planet.com.tw

Fax: 886-2-2219-9528

www.planet.com.tw



PLANET reserves the right to change specifications without prior notice. All brand names and trademarks are property of their respective owners. Copyright © 2023 PLANET Technology Corp. All rights reserved.

PWR-75-48/PWR-120-48/PWR-240-48  
/PWR-480-48v2/PWR-960-48